

UCP Application Cases

App Note
OpenVox UCP Devices

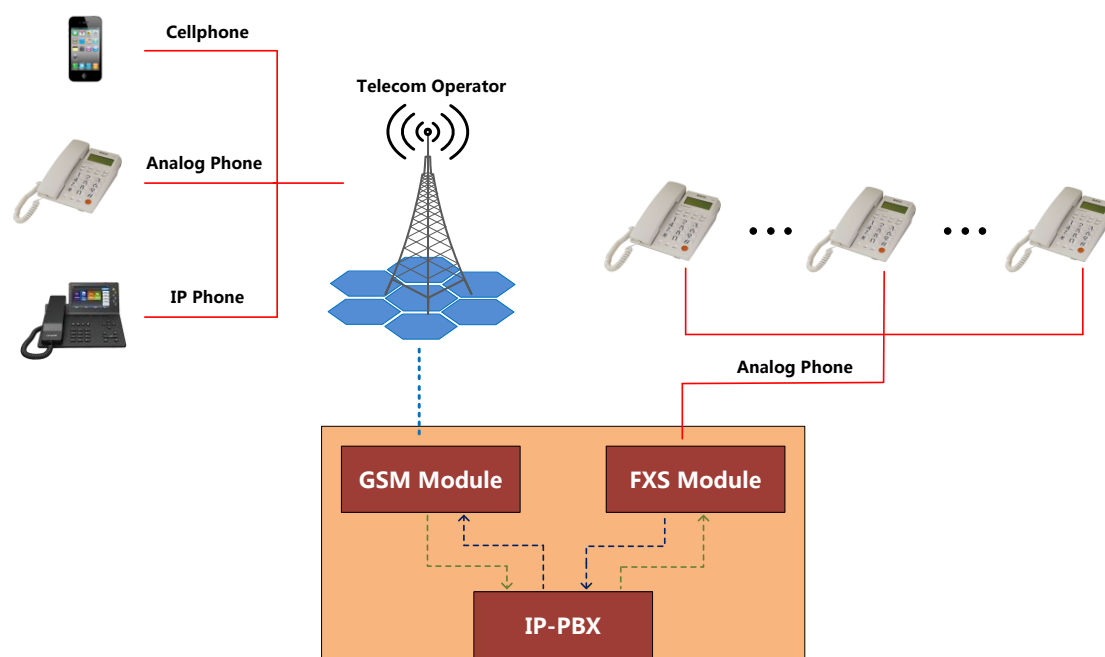
Rev: 1.0

Date: December 3, 2014

From: OpenVox technical support group

Contact Info: support@openvox.cn

1. Used by Small/Medium Enterprises



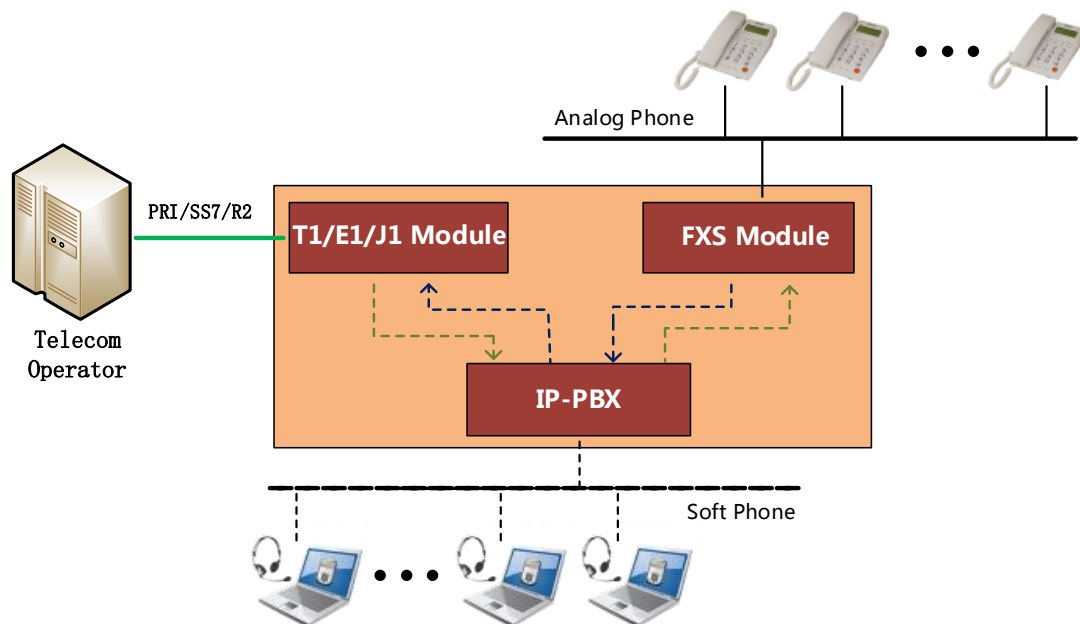
Are you tired of the high price of IP telephones? Are you worried about high telecom fee? Are you busy with how to manage the old analog telephones?

Do not be annoyed! OpenVox will help you with all these problems.

Now OpenVox has released a new device, named UCP, means Union Communication Platform. If don't have very large quantity of calls, and have many analog phones for use, maybe you can choose GSM, FXS and CPU modules to combine one device. You can make calls from your analog phones registered to IP-PBX. Then the calls will be transported

out from GSM modules. Through telecom operator, the calls will go to different terminals. As for inbound calls, the process flow is opposite.

2. Used as Call Center

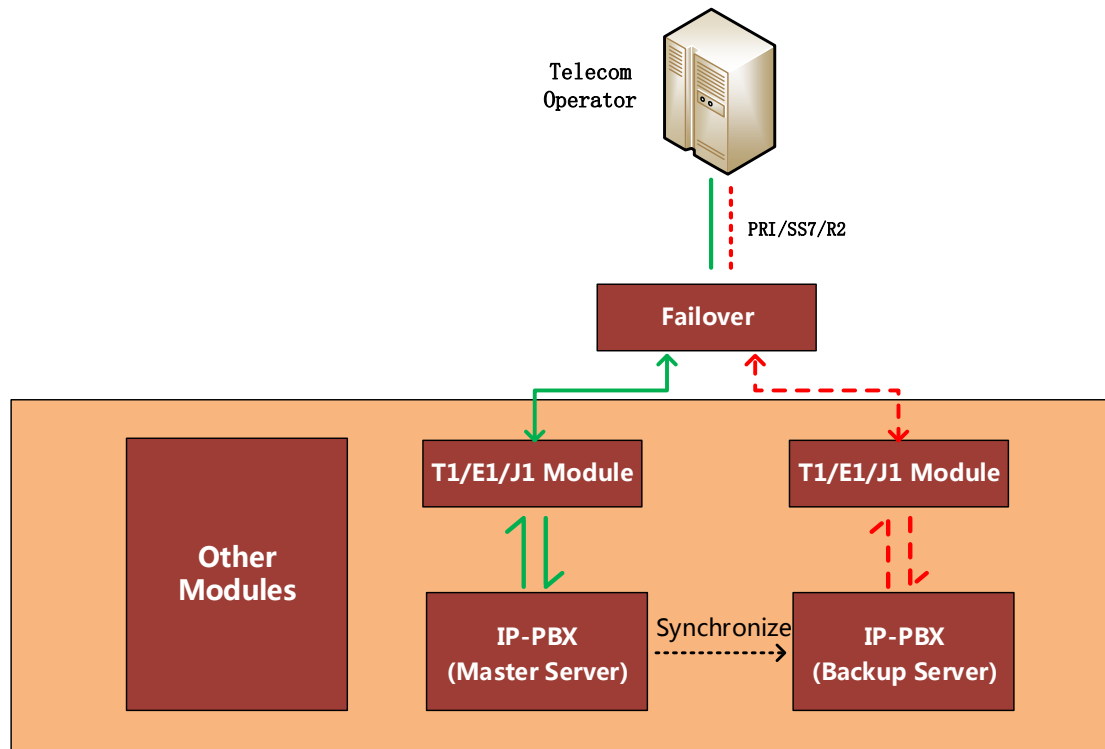


Maybe you work as a call center, and you have a large quantity of calls. Then you could choose T1/E1/J1 modules and CPU modules connected with your analog phones by FXS modules or softphones to make calls.

3. Hot-Standby System

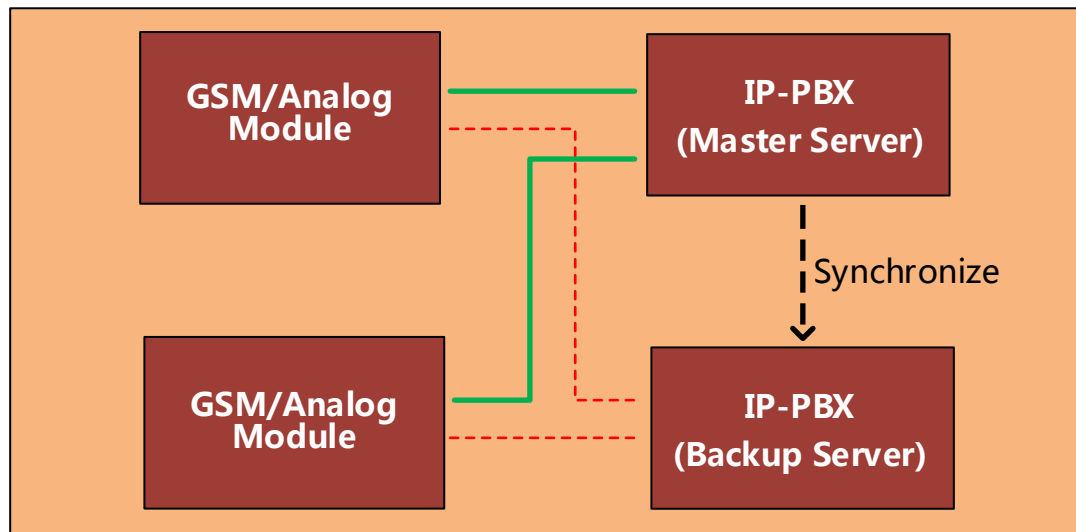
Many times you have some important calls that couldn't be missed, so in case of system crash or some other gusty cases, to make sure your system will keep working well, that's the importance of hot-standby system.

(1) Hardware Implementation



Normal cases, your phones register to the master server, and you make some setting on the master server those will be synchronized to the backup server. If there are calls, they will go along the Green Line as the topology above. But when there is something wrong with the master server, the failover will change the working IP-PBX to backup server automatically and calls will go along the Red Line.

(2) Software Implementation



You could choose some software to switch from master server to backup server when your master server doesn't work correctly.

With hot-standby system, your backup server will synchronize with the master server. That means it has the same settings and configuration files as master server. If the system goes well, calls will go along the Green Line, if there is something wrong, calls will go along the Red Line. And because of the same settings, other modules could work like they are in the original server. There will no effects on your system at all.